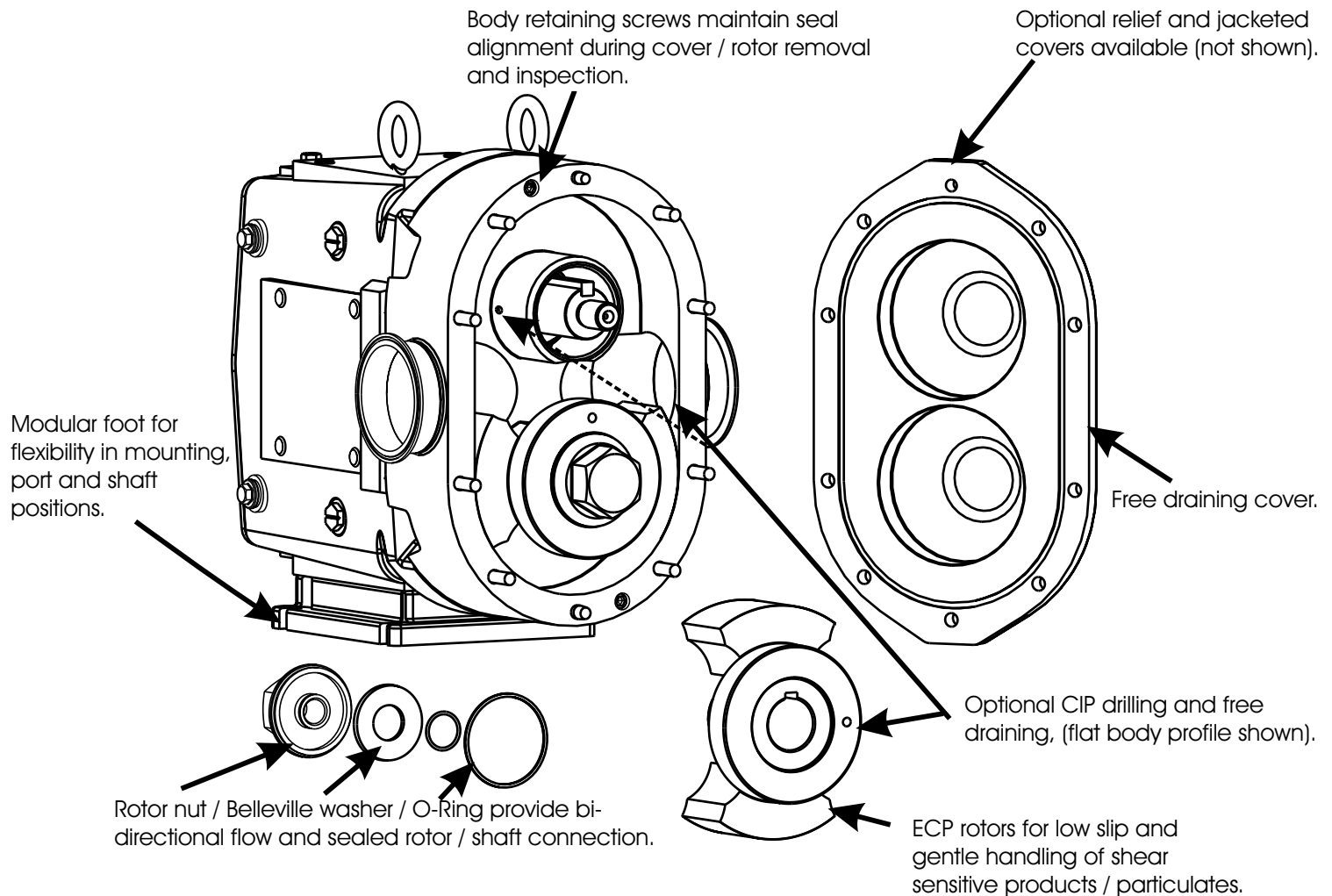


# Universal II Series Pumps



## Features

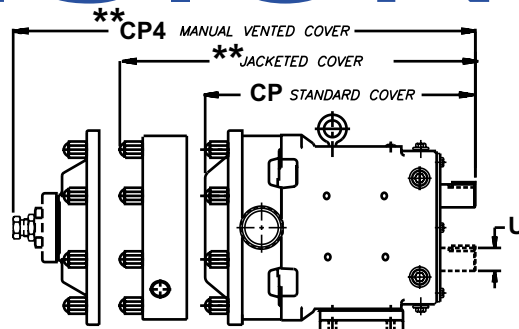
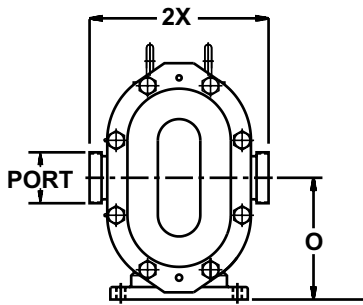
- Available as COP or CIPable with free draining capability.
- Rectangular flange models available.
- EHEDG approved.
- Pressure capability -- up to 500 PSI / 34.5 Bar.
- 316 stainless steel pump body and cover, with heavy duty 17-4 PH shafts.
- Exclusive, non-galling Waukesha "88" alloy rotors with tighter clearances handle a wider range of viscosities effectively.
- Mechanical seals standard. Single or double with flush. Carbon / Ceramic / SC / TC faces available, with Buna-N, Fluorocarbon, EPDM, Silicone, & Kalrez® elastomers.
- Versatile 3-Way mounting and dimensionally interchangeable with Universal I and Universal Lobe Series pumps.
- Stainless Steel bearing frame optional.
- Available with hex head or three wing cover nuts.

**ISO 9001  
CERTIFIED**



**Waukesha  
Cherry-Burrell**

# DIMENSIONS



Pump Model		CP	CP4	O	Port Size	U +.000/-0.001	2X*
006-U2	IN	11.71	14.92	4.21	1"	0.875	6.97
	MM	297	379	107	-	22.23	177
015-U2	IN	11.71	14.92	4.21	1 1/2"	0.875	6.97
	MM	297	379	107	-	22.23	177
018-U2	IN	12.37	15.58	4.21	1 1/2"	0.875	6.97
	MM	314	396	107	-	22.23	177
030-U2	IN	14.49	17.58	5.21	1 1/2"	1.250	8.50
	MM	368	447	132	-	31.75	216
045-U2	IN	18.59	22.28	7.31	2"	1.625	10.75
	MM	472	566	186	-	41.28	273
060-U2	IN	19.14	22.83	7.31	2 1/2"	1.625	10.75
	MM	486	580	186	-	41.28	273
130-U2	IN	20.15	23.84	7.31	3"	1.625	10.75
	MM	512	606	186	-	41.28	273
180-U2	IN	23.26	28.51	9.38	3"	2.000	13.06
	MM	591	724	238	-	50.80	332
210-U2	IN	27.08	-	10.38	4"	2.375	14.73
	MM	688	-	264	-	60.45	374
220-U2	IN	24.00	29.25	9.38	4"	2.00	13.25
	MM	610	743	238	-	50.80	337
320-U2	IN	27.66	-	10.38	6" 150# FLG	2.375	16.00
	MM	703	-	264	-	60.45	406

\* Note: Dimension '2X' Apply For Bevel Seat, 'S' Clamp, 'Q' Clamp, 15l And 14l Fittings (Except 320U2).

\*\* CP4 Is the maximum dimension for all vented and jacketed cover options

Model	Displacement Per Revolution	Nominal Capacity* To	Inlet/Outlet	Optional Inlet/Outlet	Pressure Range Up To**	Maximum RPM	Temp. Range**
006-U2	0.0082 GAL. (0.031 LITER)	8 GPM (1.8 m3/hr.)	1"	1 1/2 "	300 PSI (20.7 bar)	1000	
015-U2	0.0142 GAL. (0.054 LITER)	11 GPM (2.5 m3/hr.)	1 1/2"	-	250 PSI (17.2 bar)	800	
018-U2	0.029 GAL. (0.110 LITER)	20 GPM (4.5 m3/hr.)	1 1/2"	2"	200 PSI (13.8 bar)	700	
030-U2	0.060 GAL. (0.227 LITER)	36 GPM (8.2 m3/hr.)	1 1/2"	2"	250 PSI (17.2 bar)	600	(-40 F/C
045-U2	0.098 GAL. (0.371 LITER)	58 GPM (13.2 m3/hr.)	2"	-	450 PSI (31.0 bar)	600	to
060-U2	0.153 GAL. (0.579 LITER)	90 GPM (20.4 m3/hr.)	2 1/2"	3"	300 PSI (20.7 bar)	600	300 F
130-U2	0.253 GAL. (0.958 LITER)	150 GPM (34.1 m3/hr.)	3"	-	200 PSI (13.8 bar)	600	(149 C)
180-U2	0.380 GAL. (1.438 LITER)	230 GPM (52.2 m3/hr.)	3"	-	450 PSI (31.0 bar)	600	
210-U2	.502 GAL. (1.900 LITER)	300 GPM (68.1 m3/hr.)	4"	-	500 PSI (34.5 bar)	600	
220-U2	0.521 GAL. (1.972 LITER)	310 GPM (70.4 m3/hr.)	4"	-	300 PSI (20.7 bar)	600	
320-U2	0.752 GAL. (2.847 LITER)	450 GPM (102.0 m3/hr.)	6"	-	300 PSI (20.7 bar)	600	

\* For capacities above 450 to 935GPM, see bulletin FH-1725 on 420/520 UHC (ECP Rotors) and FH-1733 on 420/520 UHCL (Lobe Rotors).

\*\* Contact application engineering for higher pressure or higher temperature applications.

611 Sugar Creek Road  
 Delavan, WI 53115 USA  
 Tel: 1.800.252.5200 or 262.728.1900  
 Fax: 1.800.252.5012 or 262.728.4904  
 E-mail: custserv@gowcb.com  
 Web site: http://www.gowcb.com

For additional information please contact your local Waukesha Cherry-Burrell distributor.



EHEDG Approved



FF-1101  
 WCB-FAX-11/00  
 Printed in U.S.A.  
 Effective 11/00